

8-24-2010

# Virus Silicification under Simulated Hot Spring Conditions

James R. Laidler  
*Portland State University*

Kenneth M. Stedman  
*Portland State University, kstedman@pdx.edu*

Follow this and additional works at: [https://pdxscholar.library.pdx.edu/bio\\_fac](https://pdxscholar.library.pdx.edu/bio_fac)



Part of the [Biogeochemistry Commons](#), and the [Virology Commons](#)

Let us know how access to this document benefits you.

---

## Citation Details

Laidler, J. R., & Stedman, K. M. (2010). Virus silicification under simulated hot spring conditions. *Astrobiology*, 10(6), 569-576.

This Article is brought to you for free and open access. It has been accepted for inclusion in Biology Faculty Publications and Presentations by an authorized administrator of PDXScholar. Please contact us if we can make this document more accessible: [pdxscholar@pdx.edu](mailto:pdxscholar@pdx.edu).

# Virus Silicification under Simulated Hot Spring Conditions

James R. Laidler and Kenneth M. Stedman

## Abstract

Silicification of organisms in silica-depositing environments can impact both their ecology and their presence in the fossil record. Although microbes have been silicified under laboratory and environmental conditions, viruses have not. Bacteriophage T4 was successfully silicified under laboratory conditions that closely simulated those found in silica-depositing hot springs. Virus morphology was maintained, and a clear elemental signature of phosphorus was detected by energy-dispersive X-ray spectrophotometry (EDS). Key Words: Bacteriophage T4—Virus—Microbial silicification—Fossil record. *Astrobiology* 10, 569–576.

## 1. Introduction

**V**IRUSES ARE the most abundant microorganisms on the planet; an estimated  $4 \times 10^{30}$  viruses inhabit the waters of Earth's oceans (Suttle, 2005). Environmental virus concentrations range widely:  $10^5$  to  $10^7$  per milliliter in hot springs and hydrothermal vents (Breitbart *et al.*, 2004; Ortmann and Suttle, 2005; Lee *et al.*, 2007) to  $10^5$  to  $10^8$  per milliliter of seawater (Wommack and Colwell, 2000; Suttle, 2005; Filippini *et al.*, 2008; He *et al.*, 2009),  $10^7$  to  $10^9$  per milliliter in freshwater lakes and streams (Slovackova and Marsalek, 2008; de Araujo and Godinho, 2009; Personnic *et al.*, 2009) to  $10^9$  per gram of soil (Swanson *et al.*, 2009). In all these environments, viruses outnumber prokaryotes (bacteria and archaea), often by an order of magnitude or more (Wommack and Colwell, 2000; Breitbart *et al.*, 2004; Ortmann and Suttle, 2005; Lee *et al.*, 2007; Suttle, 2007; Filippini *et al.*, 2008; Slovackova and Marsalek, 2008; de Araujo and Godinho, 2009; He *et al.*, 2009; Personnic *et al.*, 2009; Swanson *et al.*, 2009).

Viruses are thought by many to be ubiquitous companions of all cellular life (Koonin and Martin, 2005; Forterre, 2006a; Koonin *et al.*, 2006). Although there are numerous cellular organisms without *known* virus "companions," this is thought to be due to the difficulties of finding viruses rather than any inherent lack of viruses in these organisms.

Although generally viewed as parasites, viruses can play other roles in the environment, such as promoting horizontal gene transfer between organisms, including organisms of different species (Ripp *et al.*, 1994; Jiang and Paul, 1998; Filee *et al.*, 2002; Weinbauer, 2004; Beumer and Robinson, 2005; Sullivan *et al.*, 2006; Kenzaka *et al.*, 2007). Another important ecological role viruses play is that of microbial predator; in that role, they recycle scarce nutrients and increase the genetic diversity of an ecosystem (Hennes and Simon, 1995;

Riemann and Middelboe, 2002; Weinbauer, 2004; Jardillier *et al.*, 2005; Ortmann and Suttle, 2005). This role is particularly important in ecosystems where the more "typical" eukaryotic microbial predators are unable to function. Such ecosystems include hydrothermal environments where the temperature is persistently above the limit for eukaryotic life (Baumgartner *et al.*, 2002, 2003).

Many of these hydrothermal waters become oversaturated in silica as they cool to ambient temperature (White *et al.*, 1956). Microorganisms in these silica-depositing waters can act as nucleation sites for silica polymerization, which leads to their being encased in silica (Schultze-Lam *et al.*, 1995; Cady and Farmer, 1996; Renaut *et al.*, 1998; Jones *et al.*, 2000, 2004; McKenzie *et al.*, 2001; Konhauser *et al.*, 2004; Amores and Warren, 2007; Peng *et al.*, 2007) and, after diagenesis, their preservation in the fossil record (Cloud and Licari, 1968; Schopf and Packer, 1987; Cady and Farmer, 1996; Reysenbach and Cady, 2001; Al-Hanbali and Holm, 2002; Geptner *et al.*, 2005; Schopf, 2006).

In 1915, Charles Walcott was the first to report finding fossilized microbes: blue-green algae (now called cyanobacteria) in limestone of the Newland Formation in central Montana (Walcott, 1915). Since that time, there have been a number of similar findings in a variety of mineral settings (*e.g.*, Barghoorn and Tyler, 1965; Cloud, 1965; Schopf and Packer, 1987; Altermann and Schopf, 1995; Schopf, 2006). Many of the most distinct microbial fossils are those that have been found in silica-rich rock, for example, cherts and flints. Despite vigorous debate about the oldest of these finds (Lowe, 1994; Garcia-Ruiz *et al.*, 2003; Brasier *et al.*, 2005), the consensus is that these fossils date the beginning of microbial life to earlier than 3 billion years ago.

Currently, microbes in hydrothermal springs are often accompanied by, and presumably infected with, a variety of

viruses (Prangishvili *et al.*, 1999; Reysenbach and Cady, 2001; Al-Hanbali and Holm, 2002; Breitbart *et al.*, 2004; Geptner *et al.*, 2005; Snyder, 2005; Stedman *et al.*, 2006; Lee *et al.*, 2007). It is reasonable to assume that these viruses would be silicified along with their microbial hosts in a silica-depositing environment. If viruses can be silicified along with their hosts, it is also possible that they might be present in the fossil record.

Discovery of fossilized viruses would be a boon not only to virologists but also to those interested in the origins of life on Earth and elsewhere. While it is supposed that viruses originated at approximately the same time as cellular life (Forterre, 2006a, 2006b; Koonin *et al.*, 2006), there is no direct evidence of viruses in existence prior to the past century. There is, however, some indirect evidence of ancient viruses, such as the presence of structures that resemble polyhedrosis virus inclusions in insects trapped in amber dated to 100 million years ago (Poinar and Poinar, 2005). Phylogenetic analysis also supports the ancient nature of viruses (Hendrix *et al.*, 1999; Filee *et al.*, 2002; Holmes, 2003; Benson *et al.*, 2004; Rice *et al.*, 2004).

While silicification of viruses would be an important first step toward incorporation in the fossil record, it is only a single step. Whether recognizable fossil viruses or detectable biosignatures would survive taphonomic alteration is unknown. The oldest molecular biosignatures, from specimens billions of years old, are remnants of membrane lipids (*e.g.*, Brocks *et al.*, 1999, 2003). While bacteriophage T4 (used in this study) does not have a lipid envelope (the viral analogue to a cell membrane), many viruses, including some bacteriophage, do (Laurinavicius *et al.*, 2007). Proteins (Nielsen-Marsh *et al.*, 2009) and DNA (Noonan *et al.*, 2006; Haile *et al.*, 2009) have been sequenced from specimens tens of thousands of years old. Thus, it appears possible that some viral components could survive diagenesis. If viral lipids can be distinguished from their host membrane lipids, even after taphonomic alteration, it might be possible to identify a viral biosignature even when their morphology has been altered beyond recognition.

In this study, bacteriophage T4 (Fig. 1) silicified under conditions similar to those observed in the outflow channels of silica-depositing hot springs—room temperature and 300 ppm (5 mM) silica (White *et al.*, 1956; Renault *et al.*, 1998; McCleskey *et al.*, 2004). The methods used were similar to those used in the experimental silicification of bacteria (Westall *et al.*, 1995; Toporski *et al.*, 2002; Yee *et al.*, 2003; Benning *et al.*, 2004a, 2004b; Konhauser *et al.*, 2004; Orange *et al.*, 2009). Bacteriophage T4 was used because it has been extensively studied (Karam, 1994), and its genome (Miller *et al.*, 2003), structure (Fokine *et al.*, 2004; Leiman *et al.*, 2004; Aksyuk *et al.*, 2009), and host interactions (Karam, 1994; Mosig *et al.*, 2001; Filee *et al.*, 2005; Kenzaka *et al.*, 2007) are well characterized. The silicified viruses have a clearly recognizable morphology and a detectable phosphorus signal on elemental analysis.

## 2. Methods

### 2.1. Virus stocks

Bacteriophage T4 stock was obtained from Carolina Biologicals at a concentration of between  $5 \times 10^8$  plaque-forming units/milliliter and  $2 \times 10^{10}$  plaque-forming units/milliliter; it was stored at 4°C until use. Immediately prior to use, 100  $\mu$ l

of the virus stock was dialyzed against sterile deionized water with a Millipore VSWP (0.025  $\mu$ m pore) membrane for 1 hour to remove salts and proteins from the storage media (Marusyk and Sergeant, 1980).

### 2.2. Silica analysis

Silica concentrations were determined colorimetrically by the heteropoly blue modification of the silicomolybdate method (Kahler, 1941; Fishman and Friedman, 1989). All reagents and samples were stored in polyethylene or polystyrene containers, and the colorimetric reaction was carried out in polyethylene microcentrifuge tubes.

### 2.3. Silicification

Silicification was performed at room temperature at a final silica solution of 300 ppm  $\text{SiO}_2$ , which simulates the conditions of some outflow channels of silica-depositing hot springs. This solution was made fresh at the start of each experiment by using solid sodium metasilicate. The pH of the silicification solution was adjusted to between 6.8 and 7.2 with small amounts of 1.0 N HCl immediately before use. Nine hundred microliters of the pH-adjusted solution was then mixed with 100  $\mu$ l of the virus stock and incubated at

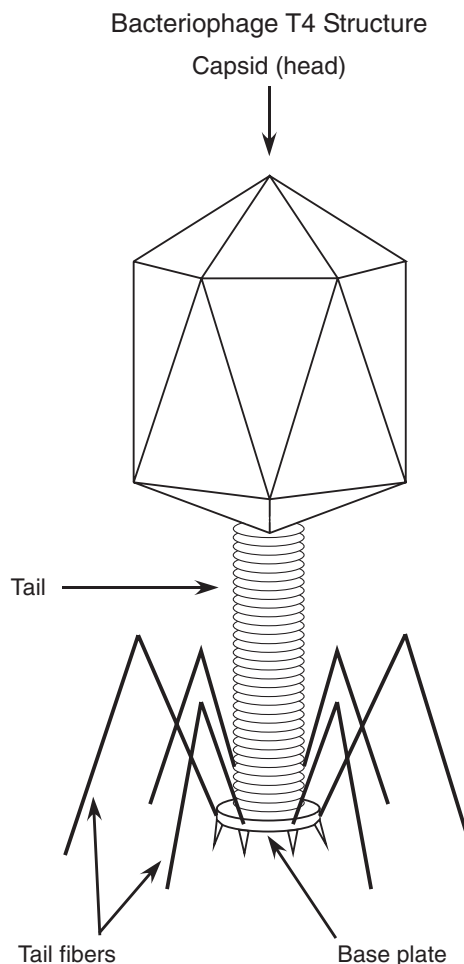


FIG. 1. Simplified diagram of bacteriophage T4 showing the major subunits of the virus.

room temperature. A control specimen was simultaneously prepared with sterile water at a pH between 6.8 and 7.2 and incubated in parallel.

Silicification experiments were also carried out with sterile, filtered (0.2  $\mu\text{m}$ ) water from a known silica-depositing hot spring, "The Growler," located near Lassen Volcanic National Park (Thompson, 1983). The silica content of this spring, measured at its surface outlet, was 230–270 ppm  $\text{SiO}_2$  (Thompson, 1983), but at the time of the experiment the silica content of the spring water sample had dropped to 104 ppm, probably due to being stored at room temperature. The silica concentration was adjusted to 300 ppm with the addition of freshly made sodium metasilicate concentrate, and the resulting solution was promptly used for silicification.

#### 2.4. Electron microscopy

Specimens were prepared by dialyzing a 50–100  $\mu\text{l}$  aliquot of the treated virus-containing solution against deionized water with a Millipore VSWP (0.025  $\mu\text{m}$  pore) membrane for 1 hour to remove residual dissolved silica. A 5  $\mu\text{l}$  drop of the dialyzed solution was placed on a 400 mesh copper grid with a carbon-Formvar film (Ted Pella, Inc.) and allowed to remain for 2 minutes before wicking away the remaining liquid. The grids were then negatively stained with 2% uranyl acetate for 30 seconds, after which time the remaining stain was removed by wicking.

Transmission electron micrographs were obtained by a JEOL 100CX transmission electron microscope (TEM) with a Gatan 782 ES500W CCD camera that used an accelerating voltage of 100 kV. High-resolution imaging and energy-

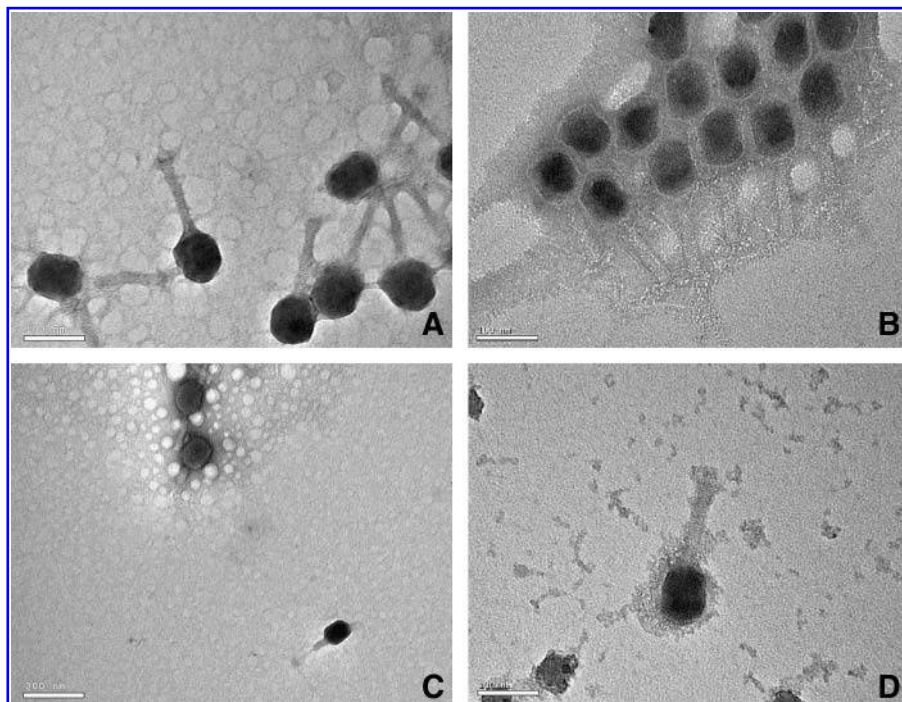
dispersive X-ray spectrophotometry (EDS) were performed on an FEI Technai F-20 TEM (accelerating voltage 200 kV) with an EDAX EDS system, which provides "real time" monitoring of the X-ray peaks as the exposure progresses. EDS was performed with a raster-scanned 15 nm electron beam, and the elemental peaks were identified by their characteristic energy (Bearden, 1967).

The EDS was performed by scanning the electron beam over a rectangular region of the virus capsid and a control area of the grid of identical size that lacked virus particles. Comparison with unsilicified bacteriophage T4 was done with the same technique. A longer exposure time was used on the unsilicified bacteriophage T4 when no silicon peak was seen at shorter exposures; this was done to rule out the possibility that silicon in the interior of the virus was somehow "shielded" by the capsid.

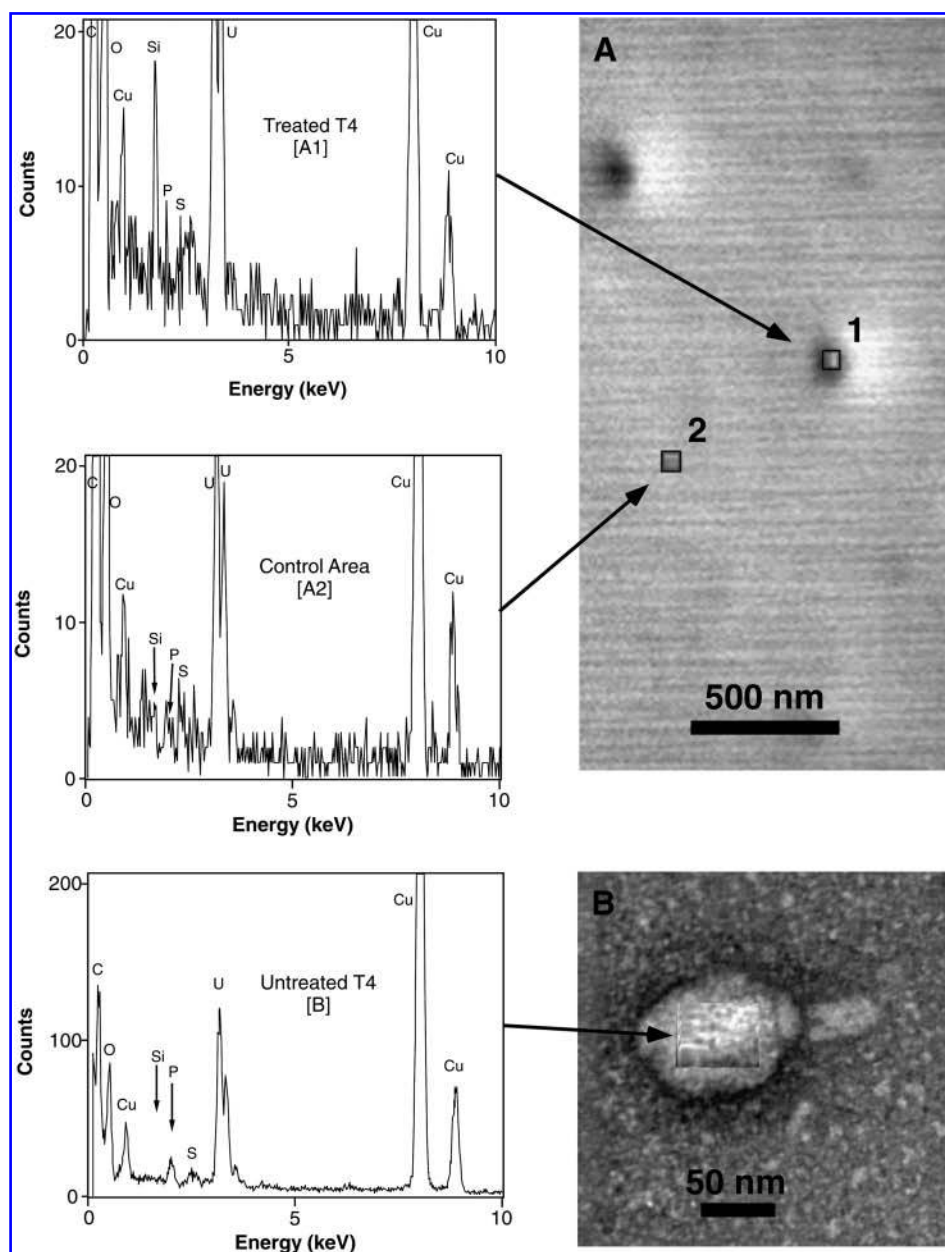
### 3. Results

To determine whether a model virus with well-defined structure—bacteriophage T4 (Fig. 1)—would silicify in a simulated hot spring environment, it was incubated for 48 hours in a 300 ppm (5 mM) silica solution and then observed with the TEM. After exposure, the virus particles appeared to be coated with a conforming layer of silica, with the virus morphology clearly intact (Fig. 2B, 2C). With exposures of over 72 hours, the coating appeared to become thicker; by 120 hours, the viruses were not identifiable. In contrast, the bacteriophage T4 exposed to only water did not appear to be coated (Fig. 2A, 2C).

The coating was most apparent around the heads of the virus as a lighter, nonstaining outline of the capsid. Tails of



**FIG. 2.** TEM images of control and silicified virus. (A) Untreated bacteriophage T4 negatively stained with uranyl acetate. (B) Bacteriophage T4 exposed to 300 ppm silica for 48 hours and stained with uranyl acetate. (C) A mixture of treated and untreated bacteriophage T4 to highlight the differences. (D) Bacteriophage T4 exposed for 48 hours to Growler hot spring water augmented with sodium metasilicate to a total silica concentration of 300 ppm. Scale bars are 100 nm in all panels except (C), where it is 200 nm. All images obtained using a JEOL 100CX TEM at 100 kV accelerating voltage.



**FIG. 3.** EDS of the capsid of a single silicified bacteriophage T4, a control region of the same grid, and the capsid of a bacteriophage T4 that had not been treated with silica solution (15 nm spot size). Silicon (Si) and phosphorus (P) signals detected in the treated bacteriophage T4 are greatly reduced in the control region. Silicon was not detected in the untreated bacteriophage T4. The detection of copper is due to the TEM grid (*i.e.*, a copper grid with carbon/Formvar film). Uranium peaks are due to the post-fixation uranyl acetate stain. Image (A), from the targeting scan of the EDS, shows the region sampled for the treated bacteriophage T4 (labeled "1") and the control area (labeled "2"). Image (B), a high-resolution TEM image of an untreated bacteriophage T4 after EDS, shows the area scanned by the electron beam.

the silica-treated viruses appeared thicker than the untreated viruses. These differences were best observed when the treated and untreated viruses were mixed together in a 1:1 ratio immediately before placing them on the TEM grid and staining (Fig. 2C).

Similar results were obtained with actual hot spring water from the known silica-depositing hot spring, "The Growler" (Thompson, 1983). However, the stored Growler hot spring water used in the experiment contained large numbers of 5–10 nm suspended spheroids. When silica-augmented Grow-

ler hot spring water was used, the coating of the virus particles incorporated these spheroids, which gave the virus a "lumpy" appearance (Fig. 2D). Nevertheless, virus morphology was clearly maintained and was very similar to that seen when the simple silica solution was used, as discussed above.

An even more extreme situation was observed when the viruses were exposed to silica solutions in LB or Lysogeny Broth (Bertani, 1951). This medium, used for virus propagation, contains relatively high concentrations of proteins



and other organic molecules. Under these conditions, large (50–150  $\mu\text{m}$ ) colloidal particles were formed that adhered preferentially to the virus capsid (data not shown). However, these concentrations of organic molecules are not typically seen in a hot spring environment (Wilson *et al.*, 2000; Ball *et al.*, 2002; McCleskey *et al.*, 2004).

To further characterize the treated virus, high-resolution transmission electron microscopy with elemental analysis (EDS) was performed (Fig. 3). Elemental analysis showed a significant silicon peak in the silicified bacteriophage T4, which was absent both in the background of the silicified bacteriophage T4 specimen and in bacteriophage T4 that had been exposed only to water. A small, though clearly defined, phosphorus peak was also seen. Since bacteriophage T4 does not possess an envelope (analogous to the cell membrane of cellular organisms) and its proteins are not known to be phosphorylated, the phosphorus signature must be from the genomic DNA in the capsid. The copper peaks are from the copper grid, and the uranium peaks are from the uranyl acetate stain used to identify the virus particles for analysis.

#### 4. Discussion

Geochemical considerations predict that the small size of viruses, *ca.* 100 nm, would preclude their silicification since even under supersaturation conditions, such as those found in silica-depositing hot spring ecosystems, the rate of silica dissolution would exceed its rate of deposition (Alexander, 1957; Kobayashi *et al.*, 2005; Conrad *et al.*, 2007). Results of this study have shown, however, that at silica concentrations below that needed for homogeneous (spontaneous) nucleation (Weres *et al.*, 1980), virus particles can become coated in silica (Fig. 2). Ongoing virus silicification studies in our laboratory indicate that other viruses also become silicified under similar conditions (unpublished results).

The degree of silicification of the T4 viruses is yet to be determined, and it may be that they are not permineralized but only have a surface coating of silica. The capsid of bacteriophage T4 is composed of repeating interlocking proteins and is porous to small molecules, including the uranyl acetate used for staining. The decrease in staining of the capsid after silica treatment, seen most clearly in Fig. 2c, suggests that the silica coating is extensive enough either to reduce the porosity of the capsid or decrease its aqueous internal volume. Still, some internal space remains, as evidenced by the diffusion of stain into the capsid.

As viruses are often the only microbial predators in silica-depositing hot springs, their silicification could render them non-infectious and ultimately lead to a decrease in microbial diversity in these environments (Fuhrman, 1999; Riemann and Middelboe, 2002; Bouvier and del Giorgio, 2007; Suttle, 2007). A decrease in microbial diversity might manifest as a decrease in the number of species, or it could result in one species—or a small group of species—being dominant for a prolonged period of time, as has been reported in some studies in which hot spring microbial diversity was examined over time (Snyder, 2005; Snyder *et al.*, 2007).

Another possible outcome would be for viruses that have adapted to silica-depositing environments to have modifications of their external surfaces that reduce or eliminate silicification. This is significant in light of previous studies that have shown that different peptide sequences and func-

tional groups can have markedly different affinities for silica deposition (Coradin *et al.*, 2002; Naik *et al.*, 2002; Fang *et al.*, 2008; Wallace *et al.*, 2009). A few studies have shown that certain amino acids—histidine, lysine, and arginine—lead to increased affinity for silica binding (Coradin *et al.*, 2002; Naik *et al.*, 2002; Liang *et al.*, 2009), whereas amino acids with alcohol groups—tyrosine, serine, and threonine—tend to reduce binding to silica (Fang *et al.*, 2008). Therefore, structural characterization of indigenous hot spring viruses is a necessary next step in this research. Intriguingly, the coat proteins of fuselloviruses, common in acidic hot springs, are rich in lysine and arginine residues (Palm *et al.*, 1991; Stedman *et al.*, 2003; Wiedenheft *et al.*, 2004; Redder *et al.*, 2009), which should make them *more* susceptible to being encased in silica.

Although our experimental findings have shown that viruses will silicify under conditions similar to those found in silica-depositing hot springs, it remains to be seen whether silicified viruses can be found in the environment. Kyle *et al.* (2008) showed that viruses in the Río Tinto can become coated with iron oxides, which suggests that silicified viruses should occur when geochemical conditions favor silica deposition. Perhaps the most important implication of this work is that viruses coated with silica have the potential to become incorporated into the fossil record along with their microbial hosts. This study has also shown that the initial steps of the silicification process leave the virus morphologically recognizable, which raises the possibility that fossilized viruses might some day be found. In addition, elemental “fingerprints” (Fig. 3) may allow detection of silicified viruses in petrographic thin sections. The fossilization of viruses in mineralizing environments, and the potential to preserve their biosignatures in the geological record, has profound implications for the study of viruses and their antiquity.

#### Acknowledgments

The authors would like to thank Dr. Sherry Cady for her advice on the manuscript and support throughout. J.L. was supported by an NSF-IGERT fellowship. Research in the Stedman lab is supported by NASA (NNX07AJ26G and NNX07AT63A. Subaward G258-08-W1951) and NSF (MCB0702020). The authors would also like to thank Mr. Pete Seward for access to the Growler hot spring.

#### Author Disclosure Statement

No competing financial interests exist.

#### Abbreviations

EDS, energy-dispersive x-ray spectrophotometry; TEM, transmission electron microscope.

#### References

- Aksyuk, A.A., Leiman, P.G., Kurochkina, L.P., Shneider, M.M., Kostyuchenko, V.A., Mesyanzhinov, V.V., and Rossmann, M.G. (2009) The tail sheath structure of bacteriophage T4: a molecular machine for infecting bacteria. *EMBO J.* 28:821–829.
- Al-Hanbali, H.S. and Holm, N.G. (2002) Evidence for fossilized subsurface microbial communities at the TAG hydrothermal mound. *Geomicrobiol. J.* 19:429–438.

- Alexander, G.B. (1957) The effect of particle size on the solubility of amorphous silica in water. *J. Phys. Chem.* 61:1563–1564.
- Altermann, W. and Schopf, J.W. (1995) Microfossils from the Neoproterozoic Campbell Group, Griqualand West Sequence of the Transvaal Supergroup, and their paleoenvironmental and evolutionary implications. *Precambrian Res.* 75:65–90.
- Amores, D.R. and Warren, L.A. (2007) Identifying when microbes biosilicify: the interconnected requirements of acidic pH, colloidal SiO<sub>2</sub> and exposed microbial surface. *Chem. Geol.* 240:298–312.
- Ball, J.W., McCleskey, R.B., Nordstrom, D.K., Holloway, J.M. and Verplanck, P.L. (2002) Water-chemistry data for selected springs, geysers, and streams in Yellowstone National Park, Wyoming, 1999–2000. Open File Report 02-382, U.S. Geological Survey, Denver, CO.
- Barghoorn, E. and Tyler, S. (1965) Microorganisms from the Gunflint Chert. *Science* 147:563–577.
- Baumgartner, M., Stetter, K.O., and Foissner, W. (2002) Morphological, small subunit rRNA, and physiological characterization of *Trimyema minutum* (Kahl, 1931), an anaerobic ciliate from submarine hydrothermal vents growing from 28 degrees C to 52 degrees C. *J. Eukaryot. Microbiol.* 49:227–238.
- Baumgartner, M., Yapi, A., Grobner-Ferreira, R., and Stetter, K.O. (2003) Cultivation and properties of *Echinamoeba thermarum* n. sp., an extremely thermophilic amoeba thriving in hot springs. *Extremophiles* 7:267–274.
- Bearden, J.A. (1967) X-ray wavelengths. *Reviews of Modern Physics* 39:78–124.
- Benning, L.G., Phoenix, V.R., Yee, N., and Konhauser, K.O. (2004a) The dynamics of cyanobacterial silicification: an infrared micro-spectroscopic investigation. *Geochim. Cosmochim. Acta* 68:743–757.
- Benning, L.G., Phoenix, V.R., Yee, N., and Tobin, M.J. (2004b) Molecular characterization of cyanobacterial silicification using synchrotron infrared micro-spectroscopy. *Geochim. Cosmochim. Acta* 68:729–741.
- Benson, S.D., Bamford, J.K.H., Bamford, D.H., and Burnett, R.M. (2004) Does common architecture reveal a viral lineage spanning all three domains of life? *Mol. Cell* 16:673–685.
- Bertani, G. (1951) Studies on lysogenesis I.: The mode of phage liberation by lysogenic *Escherichia coli*. *J. Bacteriol.* 62:293–300.
- Beumer, A. and Robinson, J.B. (2005) A broad-host-range, generalized transducing phage (SN-T) acquires 16S rRNA genes from different genera of bacteria. *Appl. Environ. Microbiol.* 71:8301–8304.
- Bouvier, T. and del Giorgio, P.A. (2007) Key role of selective viral-induced mortality in determining marine bacterial community composition. *Environ. Microbiol.* 9:287–297.
- Brasier, M.D., Green, O.R., Lindsay, J.F., McLoughlin, N., Steele, A., and Stoakes, C. (2005) Critical testing of Earth's oldest putative fossil assemblage from the similar to 3.5 Ga Apex Chert, Chinaman Creek, Western Australia. *Precambrian Res.* 140:55–102.
- Breitbart, M., Wegley, L., Leeds, S., Schoenfeld, T., and Rohwer, F. (2004) Phage community dynamics in hot springs. *Appl. Environ. Microbiol.* 70:1633–1640.
- Brocks, J.J., Logan, G.A., Buick, R., and Summons, R.E. (1999) Archean molecular fossils and the early rise of eukaryotes. *Science* 285:1033–1036.
- Brocks, J.J., Buick, R., Summons, R.E., and Logan, G.A. (2003) A reconstruction of Archean biological diversity based on molecular fossils from the 2.78 to 2.45 billion-year-old Mount Bruce Supergroup, Hamersley Basin, Western Australia. *Geochim. Cosmochim. Acta* 67:4321–4335.
- Cady, S.L. and Farmer, J.D. (1996) Fossilization processes in siliceous thermal springs: trends in preservation along thermal gradients. In *Evolution of Hydrothermal Ecosystems on Earth (and Mars?)*, Ciba Foundation Symposium 202, edited by G.R. Bock and J.A. Goode, John Wiley and Sons, Chichester, UK, pp 150–173.
- Cloud, P.E., Jr. (1965) Significance of the Gunflint (Precambrian) microflora: photosynthetic oxygen may have had important local effects before becoming a major atmospheric gas. *Science* 148:27–35.
- Cloud, P.E. and Licari, G.R. (1968) Microbiotas of the banded iron formations. *Proc. Natl. Acad. Sci. U.S.A.* 61:779–786.
- Conrad, C.F., Icopini, G.A., Yasuhara, H., Bandstra, J.Z., Brantley, S.L. and Heaney, P.J. (2007) Modeling the kinetics of silica nanocolloid formation and precipitation in geologically relevant aqueous solutions. *Geochim. Cosmochim. Acta* 71:531–542.
- Coradin, T., Durupthy, O., and Livage, J. (2002) Interactions of amino-containing peptides with sodium silicate and colloidal silica: a biomimetic approach of silicification. *Langmuir* 18:2331–2336.
- de Araujo, M.F.F. and Godinho, M.J.L. (2009) Short-term variations of virus-like particles in a tropical lake: relationship with microbial communities (bacteria, ciliates and flagellates). *Microbiol. Res.* 164:411–419.
- Fang, Y., Poulsen, N., Dickerson, M.B., Cai, Y., Jones, S.E., Naik, R.R., Kroger, N., and Sandhage, K.H. (2008) Identification of peptides capable of inducing the formation of titania but not silica via a subtractive bacteriophage display approach. *J. Mater. Chem.* 18:3871–3875.
- Filee, J., Forterre, P., Sen-Lin, T., and Laurent, J. (2002) Evolution of DNA polymerase families: evidences for multiple gene exchange between cellular and viral proteins. *J. Mol. Evol.* 54:763–773.
- Filee, J., Tetart, F., Suttle, C.A., and Krisch, H.M. (2005) Marine T4-type bacteriophages, a ubiquitous component of the dark matter of the biosphere. *Proc. Natl. Acad. Sci. U.S.A.* 102:12471–12476.
- Filippini, M., Buesing, N., and Gessner, M.O. (2008) Temporal dynamics of freshwater bacterio- and virioplankton along a littoral-pelagic gradient. *Freshw. Biol.* 53:1114–1125.
- Fishman, M.J. and Friedman, L.C. (1989) Methods for determination of inorganic substances in water and fluvial sediments. Book 5, Chapter A1, in *Techniques of Water-Resources Investigations of the United States Geological Survey*, 3<sup>rd</sup> ed., U.S. Geological Survey, Denver, CO, pp 415–416.
- Fokine, A., Chipman, P.R., Leiman, P.G., Mesyanzhinov, V.V., Rao, V.B., and Rossmann, M.G. (2004) Molecular architecture of the prolate head of bacteriophage T4. *Proc. Natl. Acad. Sci. U.S.A.* 101:6003–6008.
- Forterre, P. (2006a) The origin of viruses and their possible roles in major evolutionary transitions. *Virus Res.* 117:5–16.
- Forterre, P. (2006b) Three RNA cells for ribosomal lineages and three DNA viruses to replicate their genomes: a hypothesis for the origin of cellular domain. *Proc. Natl. Acad. Sci. U.S.A.* 103:3669–3674.
- Fuhrman, J.A. (1999) Marine viruses and their biogeochemical and ecological effects. *Nature* 399:541–548.
- Garcia-Ruiz, J.M., Hyde, S.T., Carnerup, A.M., Christy, A.G., Van Kranendonk, M.J., and Welham, N.J. (2003) Self-assembled silica-carbonate structures and detection of ancient microfossils. *Science* 302:1194–1197.

- Geptner, A.R., Ivanovskaya, T.A., and Pokrovskaya, E.V. (2005) Hydrothermal fossilization of microorganisms at the Earth's surface in Iceland. *Lithology and Mineral Resources* 40:505–520.
- Haile, J., Froese, D.G., MacPhee, R.D.E., Roberts, R.G., Arnold, L.J., Reyes, A.V., Rasmussen, M., Nielsen, R., Brook, B.W., Robinson, S., Demuro, M., Gilbert, M.T.P., Munch, K., Austin, J.J., Cooper, A., Barnes, I., Möller, P., and Willerslev, E. (2009) Ancient DNA reveals late survival of mammoth and horse in interior Alaska. *Proc. Natl. Acad. Sci. U.S.A.* 106:22352–22357.
- He, L., Yin, K.D., Yuan, X.C., Li, D.M., Zhang, D.R., and Harrison, P.J. (2009) Spatial distribution of viruses, bacteria and chlorophyll in the northern South China Sea. *Aquat. Microb. Ecol.* 54:153–162.
- Hendrix, R.W., Smith, M.C.M., Burns, R.N., Ford, M.E., and Hatfull, G.F. (1999) Evolutionary relationships among diverse bacteriophages and prophages: all the world's a phage. *Proc. Natl. Acad. Sci. U.S.A.* 96:2192–2197.
- Hennes, K.P. and Simon, M. (1995) Significance of bacteriophages for controlling bacterioplankton growth in a mesotrophic lake. *Appl. Environ. Microbiol.* 61:333–340.
- Holmes, E.C. (2003) Molecular clocks and the puzzle of RNA virus origins. *J. Virol.* 77:3893–3897.
- Jardillier, L., Bettarel, Y., Richardot, M., Bardot, C., Amblard, C., Sime-Ngando, T., and Debros, D. (2005) Effects of viruses and predators on prokaryotic community composition. *Microb. Ecol.* 50:557–569.
- Jiang, S.C. and Paul, J.H. (1998) Gene transfer by transduction in the marine environment. *Appl. Environ. Microbiol.* 64:2780–2787.
- Jones, B., Renaut, R.W., and Rosen, M.R. (2000) Stromatolites forming in acidic hot-spring waters, North Island, New Zealand. *Palaios* 15:450–475.
- Jones, B., Konhauser, K.O., Renaut, R.W., and Wheeler, R.S. (2004) Microbial silicification in Iodine Pool, Waimangu geothermal area, North Island, New Zealand: implications for recognition and identification of ancient silicified microbes. *J. Geol. Soc. London* 161:983–993.
- Kahler, H. (1941) Determination of soluble silica in water: a photometric method. *Industrial & Engineering Chemistry Analytical Edition* 13:536–539.
- Karam, J.D. (1994) *Bacteriophage T4*, ASM Press, Washington, DC.
- Kenzaka, T., Tani, K., Sakotani, A., Yamaguchi, N., and Nasu, M. (2007) High-frequency phage-mediated gene transfer among *Escherichia coli* cells, determined at the single-cell level. *Appl. Environ. Microbiol.* 73:3291–3299.
- Kobayashi, M., Juillerat, F., Galletto, P., Bowen, P., and Borkovec, M. (2005) Aggregation and charging of colloidal silica particles: effect of particle size. *Langmuir* 21:5761–5769.
- Konhauser, K., Jones, B., Phoenix, V., Ferris, G., and Renaut, R. (2004) The microbial role in hot spring silicification. *Ambio* 33:552–558.
- Koonin, E.V. and Martin, W. (2005) On the origin of genomes and cells within inorganic compartments. *Trends Genet.* 21:647–654.
- Koonin, E.V., Senkevich, T.G., and Dolja, V.V. (2006) The ancient Virus World and evolution of cells. *Biol. Direct* 1:29.
- Kyle, J.E., Pedersen, K., and Ferris, F.G. (2008) Virus mineralization at low pH in the Rio Tinto, Spain. *Geomicrobiol. J.* 25:338–345.
- Laurinavicius, S., Bamford, D.H., and Somerharju, P. (2007) Transbilayer distribution of phospholipids in bacteriophage membranes. *Biochim. Biophys. Acta* 1768:2568–2577.
- Lee, M.H., Keams, J.L., Helzer, D.W., Leiser, O.P., Ochoa, M.A., Connon, S.A., Magnuson, T.S., and Watwood, M.E. (2007) Evaluation of viral and prokaryotic community dynamics in Alvord Desert hot springs, Oregon, USA. *Aquat. Microb. Ecol.* 48:19–26.
- Leiman, P.G., Chipman, P.R., Kostyuchenko, V.A., Mesyanzhinov, V.V., and Rossmann, M.G. (2004) Three-dimensional rearrangement of proteins in the tail of bacteriophage T4 on infection of its host. *Cell* 118:419–429.
- Liang, M.K., Patwardhan, S.V., Danilovtseva, E.N., Annenkov, V.V., and Perry, C.C. (2009) Imidazole catalyzed silica synthesis: progress toward understanding the role of histidine in (bio)silicification. *J. Mater. Res.* 24:1700–1708.
- Lowe, D.R. (1994) Abiological origin of described stromatolites older than 3.2 Ga. *Geology* 22:387–390.
- Marusyk, R. and Sergeant, A. (1980) A simple method for dialysis of small-volume samples. *Anal. Biochem.* 105:403–404.
- McCleskey, R.B., Ball, J.W., Nordstrom, D.K., Holloway, J.M., and Taylor, H.E. (2004) Water-chemistry data for selected hot springs, geysers, and streams in Yellowstone National Park, Wyoming, 2001–2002. Open File Report 2004-1316, U.S. Geological Survey, Denver, CO.
- McKenzie, E.J., Brown, K.L., Cady, S.L., and Campbell, K.A. (2001) Trace metal chemistry and silicification of microorganisms in geothermal sinter, Taupo Volcanic Zone, New Zealand. *Geothermics* 30:483–502.
- Miller, E.S., Kutter, E., Mosig, G., Arisaka, F., Kunisawa, T., and Ruger, W. (2003) Bacteriophage T4 genome. *Microbiol. Mol. Biol. Rev.* 67:86–155.
- Mosig, G., Gewin, J., Luder, A., Colowick, N., and Vo, D. (2001) Two recombination-dependent DNA replication pathways of bacteriophage T4, and their roles in mutagenesis and horizontal gene transfer. *Proc. Natl. Acad. Sci. U.S.A.* 98:8306–8311.
- Naik, R.R., Brott, L.L., Clarkson, S.J., and Stone, M.O. (2002) Silica-precipitating peptides isolated from a combinatorial phage display peptide library. *J. Nanosci. Nanotechnol.* 2:95–100.
- Nielsen-Marsh, C.M., Stegemann, C., Hoffmann, R., Smith, T., Feeney, R., Toussaint, M., Harvati, K., Panagopoulou, E., Hublin, J.J., and Richards, M.P. (2009) Extraction and sequencing of human and Neanderthal mature enamel proteins using MALDI-TOF/TOF MS. *J. Archaeol. Sci.* 36:1758–1763.
- Noonan, J.P., Coop, G., Kudravalli, S., Smith, D., Krause, J., Alessi, J., Platt, D., Paabo, S., Pritchard, J.K., and Rubin, E.M. (2006) Sequencing and analysis of Neanderthal genomic DNA. *Science* 314:1113–1118.
- Orange, F., Westall, F., Disnar, J.R., Prieur, D., Bienvenu, N., Leromancer, M., and Defarge, C. (2009) Experimental silicification of the extremophilic Archaea *Pyrococcus abyssi* and *Methanocaldococcus jannaschii*: applications in the search for evidence of life in early Earth and extraterrestrial rocks. *Geobiology* 7:403–418.
- Ortmann, A.C. and Suttle, C.A. (2005) High abundances of viruses in a deep-sea hydrothermal vent system indicates viral mediated microbial mortality. *Deep Sea Res. Part I Oceanogr. Res. Pap.* 52:1515–1527.
- Palm, P., Schleper, C., Grampp, B., Yeats, S., McWilliam, P., Reiter, W.D., and Zillig, W. (1991) Complete nucleotide sequence of the virus SSV1 of the archaeobacterium *Sulfolobus shibatae*. *Virology* 185:242–250.
- Peng, X.T., Zhou, H.Y., Wu, Z.J., Jiang, L., Tang, S., Yao, H.Q., and Chen, G.Q. (2007) Biomining of phototrophic microbes in silica-enriched hot springs in South China. *Chin. Sci. Bull.* 52:367–379.
- Personnic, S., Domaizon, I., Dorigo, U., Berdjeb, L., and Jacquet, S. (2009) Seasonal and spatial variability of virio-, bacterio-,



- and picophytoplanktonic abundances in three peri-alpine lakes. *Hydrobiologia* 627:99–116.
- Poinar, G. and Poinar, R. (2005) Fossil evidence of insect pathogens. *J. Invertebr. Pathol.* 89:243–250.
- Prangishvili, D., Arnold, H.P., Gotz, D., Ziese, U., Holz, I., Kristjansson, J.K., and Zillig, W. (1999) A novel virus family, the *Rudiviridae*: structure, virus-host interactions and genome variability of the *Sulfolobus* viruses SIRV1 and SIRV2. *Genetics* 152:1387–1396.
- Redder, P., Peng, X., Brugger, K., Shah, S.A., Roesch, F., Greve, B., She, Q.X., Schleper, C., Forterre, P., Garrett, R.A., and Prangishvili, D. (2009) Four newly isolated fuselloviruses from extreme geothermal environments reveal unusual morphologies and a possible interviral recombination mechanism. *Environ. Microbiol.* 11:2849–2862.
- Renaut, R.W., Jones, B., and Tiercelin, J.J. (1998) Rapid *in situ* silicification of microbes at Loburu hot springs, Lake Bogoria, Kenya Rift Valley. *Sedimentology* 45:1083–1103.
- Reysenbach, A.L. and Cady, S.L. (2001) Microbiology of ancient and modern hydrothermal systems. *Trends Microbiol.* 9:79–86.
- Rice, G., Tang, L., Stedman, K., Roberto, F., Spuhler, J., Gillitzer, E., Johnson, J.E., Douglas, T., and Young, M. (2004) The structure of a thermophilic archaeal virus shows a double-stranded DNA viral capsid type that spans all domains of life. *Proc. Natl. Acad. Sci. U.S.A.* 101:7716–7720.
- Riemann, L. and Middelboe, M. (2002) Viral lysis of marine bacterioplankton: implications for organic matter cycling and bacterial clonal composition. *Ophelia* 56:57–68.
- Ripp, S., Ogunseitan, O.A., and Miller, R.V. (1994) Transduction of a fresh-water microbial community by a new *Pseudomonas aeruginosa* generalized transducing phage, UT1. *Mol. Ecol.* 3:121–126.
- Schopf, J.W. (2006) Fossil evidence of Archaean life. *Philos. Trans. R. Soc. Lond., B, Biol. Sci.* 361:869–885.
- Schopf, J.W. and Packer, B.M. (1987) Early Archean (3.3-billion to 3.5-billion-year-old) microfossils from Warrawoona Group, Australia. *Science* 237:70–73.
- Schultze-Lam, S., Ferris, F.G., Konhauser, K.O., and Wiese, R.G. (1995) *In situ* silicification of an Icelandic hot spring microbial mat: implications for microfossil formation. *Can. J. Earth Sci.* 32:2021–2026.
- Slovackova, H. and Marsalek, B. (2008) Virioplankton and microbial communities in two Czech rivers (Svratka and Morava River). *Aquat. Sci.* 70:282–291.
- Snyder, J. (2005) Virus dynamics, archaeal populations and water chemistry of three acidic hot springs in Yellowstone National Park. Doctoral thesis. Montana State University, Bozeman, MT.
- Snyder, J.C., Wiedenheft, B., Lavin, M., Roberto, F.F., Spuhler, J., Ortmann, A.C., Douglas, T., and Young, M. (2007) Virus movement maintains local virus population diversity. *Proc. Natl. Acad. Sci. U.S.A.* 104:19102–19107.
- Stedman, K.M., She, Q.X., Phan, H., Arnold, H.P., Holz, I., Garrett, R.A., and Zillig, W. (2003) Relationships between fuselloviruses infecting the extremely thermophilic archaeon *Sulfolobus*: SSV1 and SSV2. *Res. Microbiol.* 154:295–302.
- Stedman, K.M., Prangishvili, D., and Zillig, W. (2006) Viruses of Archaea. In *The Bacteriophages*, edited by R. Calendar, Oxford University Press, Oxford, pp 499–516.
- Sullivan, M.B., Lindell, D., Lee, J.A., Thompson, L.R., Bielawski, J.P., and Chisholm, S.W. (2006) Prevalence and evolution of core photosystem II genes in marine cyanobacterial viruses and their hosts. *PLoS Biol.* 4:1344–1357.
- Suttle, C.A. (2005) Viruses in the sea. *Nature* 437:356–361.
- Suttle, C.A. (2007) Marine viruses—major players in the global ecosystem. *Nat. Rev. Microbiol.* 5:801–812.
- Swanson, M.M., Fraser, G., Daniell, T.J., Torrance, L., Gregory, P.J., and Taliany, M. (2009) Viruses in soils: morphological diversity and abundance in the rhizosphere. *Ann. Appl. Biol.* 155:51–60.
- Thompson, J. (1983) Chemical analysis of thermal and non-thermal springs in Lassen Volcanic National Park and vicinity, California. Open File Report 83-311, U.S. Geological Survey, Denver, CO.
- Toporski, J.K.W., Steele, A., Westall, F., Thomas-Keptra, K.L., and McKay, D.S. (2002) The simulated silicification of bacteria—new clues to the modes and timing of bacterial preservation and implications for the search for extraterrestrial microfossils. *Astrobiology* 2:1–26.
- Walcott, C.D. (1915) Discovery of Algonkian bacteria. *Proc. Natl. Acad. Sci. U.S.A.* 1:256–257.
- Wallace, A.F., DeYoreo, J.J., and Dove, P.M. (2009) Kinetics of silica nucleation on carboxyl- and amine-terminated surfaces: insights for biomineralization. *J. Am. Chem. Soc.* 131:5244–5250.
- Weinbauer, M.G. (2004) Ecology of prokaryotic viruses. *FEMS Microbiol. Rev.* 28:127–181.
- Weres, O., Yee, A., and Tsao, L. (1980) *Kinetics of Silica Polymerization*, U.S. Department of Energy, Berkeley, CA.
- Westall, F., Boni, L., and Guerzoni, E. (1995) The experimental silicification of microorganisms. *Palaeontology* 38:495–528.
- White, D.E., Brannock, W.W., and Murata, K.J. (1956) Silica in hot-spring waters. *Geochim. Cosmochim. Acta* 10:27–59.
- Wiedenheft, B., Stedman, K., Roberto, F., Willits, D., Gleske, A.K., Zoeller, L., Snyder, J., Douglas, T., and Young, M. (2004) Comparative genomic analysis of hyperthermophilic archaeal *Fuselloviridae* viruses. *J. Virol.* 78:1954–1961.
- Wilson, C.L., Hinman, N.W., Cooper, W.J., and Brown, C.F. (2000) Hydrogen peroxide cycling in surface geothermal waters of Yellowstone National Park. *Environ. Sci. Technol.* 34:2655–2662.
- Wommack, K.E. and Colwell, R.R. (2000) Virioplankton: viruses in aquatic ecosystems. *Microbiol. Mol. Biol. Rev.* 64:69–114.
- Yee, N., Phoenix, V.R., Konhauser, K.O., Benning, L.G., and Ferris, F.G. (2003) The effect of cyanobacteria on silica precipitation at neutral pH: implications for bacterial silicification in geothermal hot springs. *Chem. Geol.* 199:83–90.

Address correspondence to:  
 Kenneth M. Stedman  
 P.O. Box 751  
 Portland, OR 97201-0751

E-mail: kstedman@pdx.edu

Submitted 19 March 2010  
 Accepted 22 July 2010